

MAEDA LC755-2



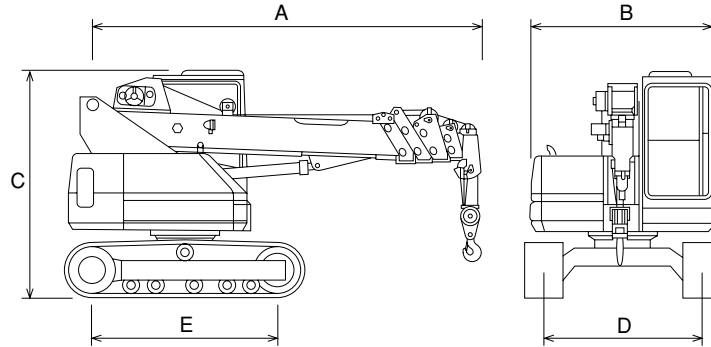
Specifications

Length: 4977mm
Width: 2320mm
Height: 2700mm
Weight: 9000kg

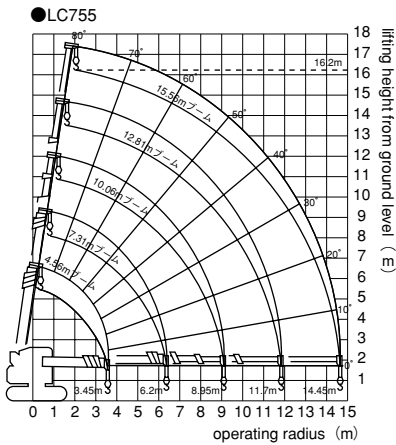
Crawler Crane 4.9ton

LC755

Dimension



Working Range Diagram



LC755

Maximum Loading chart(kg)

Operating radius(m)	Boom length (telescopic)				
	4.56m	7.31m	10.06m	12.81m	15.56m
2.00	4,900	4,900	2,600	1,900	
2.10	3,720	4,610	2,480	1,900	
2.50	3,310	3,670	2,100	1,900	1,300
2.70	2,840	3,310	1,950	1,900	1,300
3.00	2,640	2,870	1,750	1,710	1,300
3.15	2,320	2,680	1,660	1,620	1,300
3.45		2,360	1,510	1,470	1,220
3.50		2,310	1,490	1,450	1,200
4.00		1,900	1,280	1,240	1,080
4.50		1,590	1,120	1,080	980
5.00		1,340	980	950	880
5.50		1,140	870	830	790
6.00		970	770	740	710
6.20		970	740	710	680
6.50			690	660	640
7.00			620	590	570
7.50			560	530	510
8.00			500	470	460
8.50			450	420	400
8.95			420	380	360
9.00				380	360
9.50				340	310
10.00				310	270
10.50				270	230
11.00				260	190
11.50				260	160
11.70				260	150
12.00					150
14.45					150

Specifications

M A K E			KOMATSU
M O D E L			LC755
Total weight		kg	8,800
Dimensions	Overall length	A	mm 4,977
	Overall width	B	mm 2,320
	Overall height	C	mm 2,700
	Track gauge	D	mm 1,870
	Length of track on ground	E	mm 2,868
	Min. ground clearance		mm 360
Performance	Max. lifting load	ton × m	4.9×2.1
	Max. operating radius	m × ton	14.45×0.15
	Max. lifting height	m	16.2
	Boom length	mm	4,560~15,560
	Boom telescopic speed	sec/m	25 / 11.0
	Swing speed	rpm	2.1
Travel speed		km/h	2.9
Fly wheel house power		kw/rpm	44.2(60)/2,000
Fuel tank		L	80